



AMERICAN PNEUMATIC TOOLS, INC.

MODEL 190 PAVING BREAKER

Tough and dependable, the high performance model 190 is the most powerful air tool APT makes. It is designed for big jobs such as heavy demolition and concrete breaking. Since the model 190 has the ability to penetrate the hardest concrete, it is the tool of choice for road building and foundation removal.

SPECIFICATIONS

Part Number	Chuck Size inches	Bore	Stroke	BPM	CFM @ 90 PSI inlet pressure	Weight lbs.	Length inches	Air Inlet NPT
5239	1-1/8 x 6	2-5/8	6-1/8	1350	75-80	91	29	3/4 male
5240	1-1/4 x 6	2-5/8	6-1/8	1350	75-80	91	29	3/4 male



FEATURES

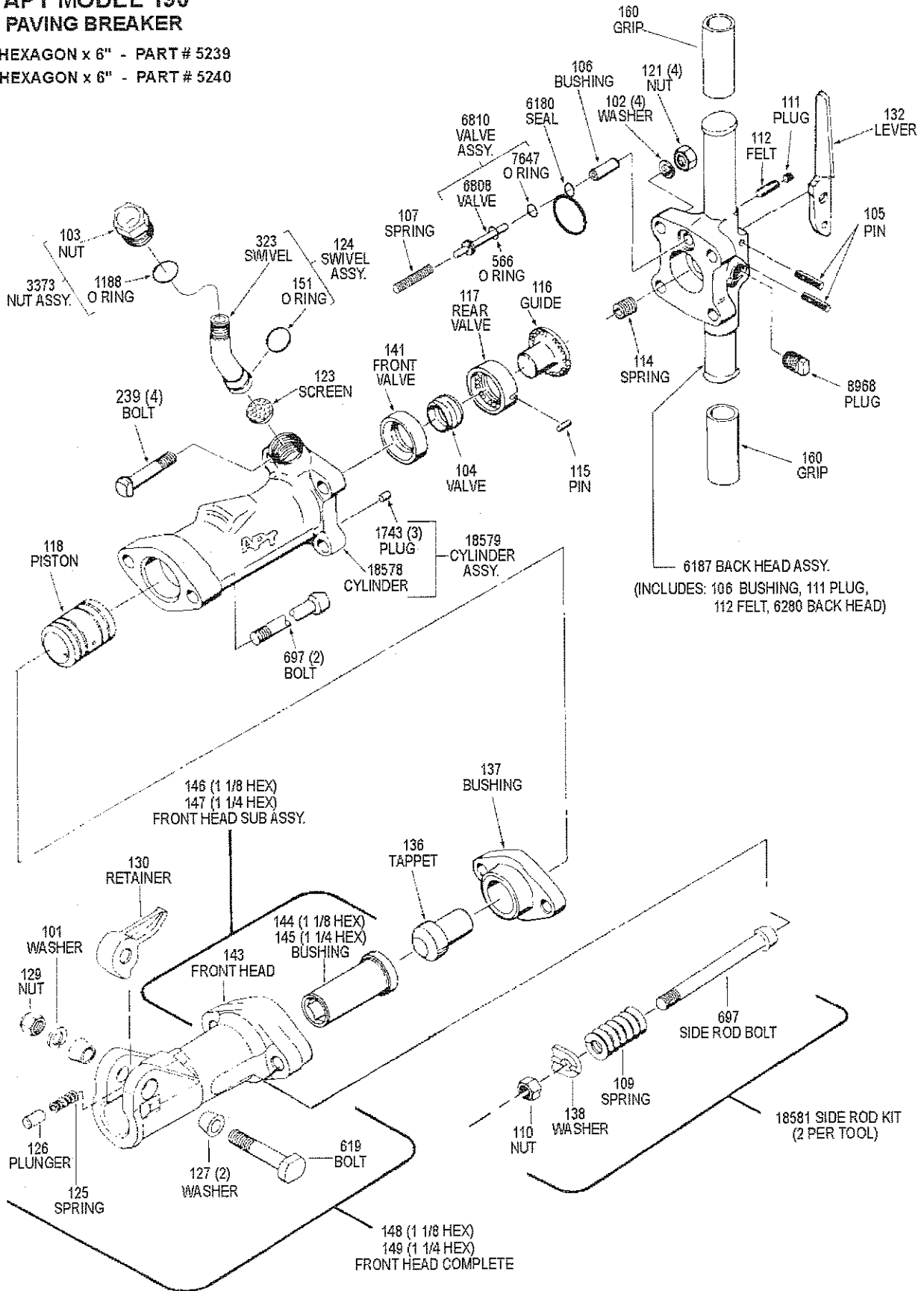
- Automatic valve
- Drop forged alloy steel handle
- Built-in automatic oiler
- Replaceable chuck bushing
- Rubber handle grips
- Latch type retainer
- Swivel hose connection
- Noise dampening muffler available
- Four-bolt backhead

APT

APT MODEL 190 PAVING BREAKER

1 1/8 HEXAGON x 6" - PART # 5239

1 1/4 HEXAGON x 6" - PART # 5240





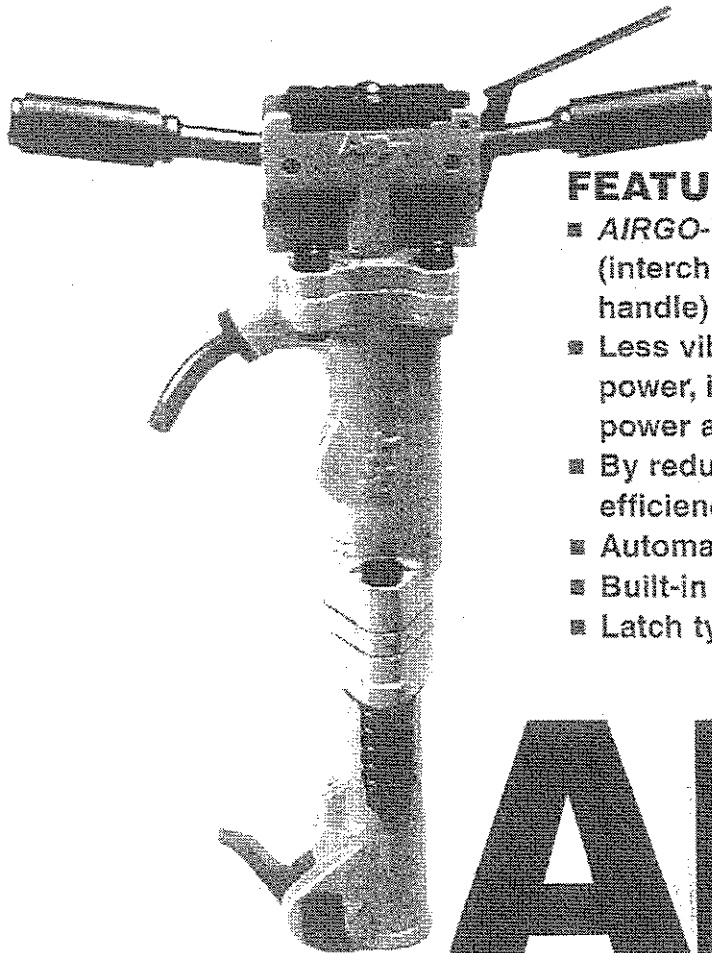
AMERICAN PNEUMATIC TOOLS, INC

MODEL 190A AIRGO-Line® PAVING BREAKER

The model 190A *Airgo-Line* is a 90lb class Paving Breaker. The ergonomically designed handle absorbs the excess harmful vibration to the hands and arms of the operator. This versatile tool can be converted into a classic 90lb Paving Breaker in minutes by just switching the ergonomichandle for a standard one. This tool is excellent for heavy demolition work and concrete breaking.

SPECIFICATIONS

Part Number	Chuck Size Inches	Bore	Stroke	BPM	CFM @ 90 PSI inlet pressure	Weight lbs.	Length inches	Air Inlet NPT
18618	1-1/8 x 6	2-5/8	6-1/8	1350	75-80	87	31	3/4 male
18619	1-1/4 x 6	2-5/8	6-1/8	1350	75-80	87	31	3/4 male



FEATURES

- *AIRGO-Line*® Ergonomic backhead (interchangeable with standard handle)
- Less vibration doesn't mean less power, it delivers the same hitting power as the standard Model
- By reducing operator fatigue, efficiency and output is increased
- Automatic valve
- Built-in automatic oiler
- Latch type retainer

AAPT

APT MODEL 190A

AIRGO-Line®

PAVING BREAKER

1 1/8 HEXAGON x 6" - PART # 18618

1 1/4 HEXAGON x 6" - PART # 18619

