

# **RIVET BUSTERS**

## **TOOL MAINTENANCE & REPAIR INFORMATION**

**Always use Rivet Busters with in-line oilers.**

### **FIELD OPERATION**

#### **Before:**

1. Check to ensure you are using air tool oil or a 10W grade equivalent.
2. For screw on type handle, tighten handle to 200 ft. lbs.
3. For 4-Bolt type handle ensure all bolts are tight.
4. Check retainer, lock spring, upper sleeve and lower square retainer. Rubber bumper should be in good condition.
5. Clean any water and/or dirt from air hose before connecting it to the tool.

#### **During:**

1. For your safety and that of others, keep tool against work at all times!
2. When moving from one work area to another, always shut tool off.
3. Do not use tool as a wedge or prying instrument.
4. When changing tool bit always shut air supply off and disconnect hose.
5. Check and refill oil reservoir in the line oiler as needed
6. Make sure handle is kept tight.

#### **After:**

1. Flush tool with cleaning solvent, then refill with Air Tool oil or 10W grade equivalent.
2. For screw on type handle, tighten handle to 200 ft. lbs
3. For 4-Bolt type handle ensure all bolts are tight.
4. Do not leave tool in water or dirt.
5. Store the tool well oiled.

**REMEMBER: PREVENTIVE MAINTENANCE  
WILL ASSURE MAXIMUM  
PERFORMANCE FROM ALL  
OF YOUR APT TOOLS.**

### **TROUBLE SHOOTING GUIDE**

#### **If tool only blows air or flutters:**

1. Check to see if piston shows signs of wear, if worn replace with new one.
2. Check valve system for signs of wear. In most cases, when worn, only the inner sleeve needs to be replaced.
3. Disassemble and check air ports for blockage.
4. On 4-Bolt Handle Rivet Buster, check flapper valve for wear. If worn, flip it over and use other side.

#### **If tool will not shut off:**

1. Immediately turn off air source, then disconnect air supply.
2. Check throttle valve bushing for damaged o'rings.
3. Check teflon throttle valve for signs of wear. If worn, replace with new one.

# **APT**

**MODEL 133  
RIVET BUSTER**

The APT Model 133 Rivet Buster, or Jumbo Rivet Buster as it is known, was originally designed to cut rivets off metal structures. The APT Rivet Buster is widely known now as a tough, powerful tool, with the ability to perform medium to heavy demolition work. At half the weight of the 60 lb. class paving breakers, the ratio of its high impact energy versus its weight makes the Rivet Buster Series the most efficient tools APT makes. The model 133 meets the weight requirements for bridge deck repair work. Rivet Busters are also popular for cutting up underground tanks.

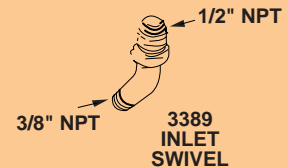
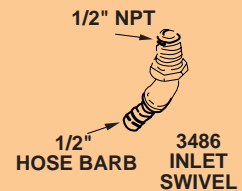
**SPECIFICATIONS**

Part Number	Bore	Stroke	BPM	CFM @ 90 PSI inlet pressure	Weight lbs.	Length inches	Air Inlet NPT
5216	1-3/16	8	1140	42-46	30	22-1/2	3/8 Female



**FEATURES**

- 8" stroke
- Drop forged D-style handle
- Inside trigger for better control and safety
- Deep case-hardened alloy steel cylinder
- Uses jumbo extra heavy duty tool steel
- Heavy duty upper and lower sleeves
- Adjustable exhaust deflector
- Teflon throttle valve

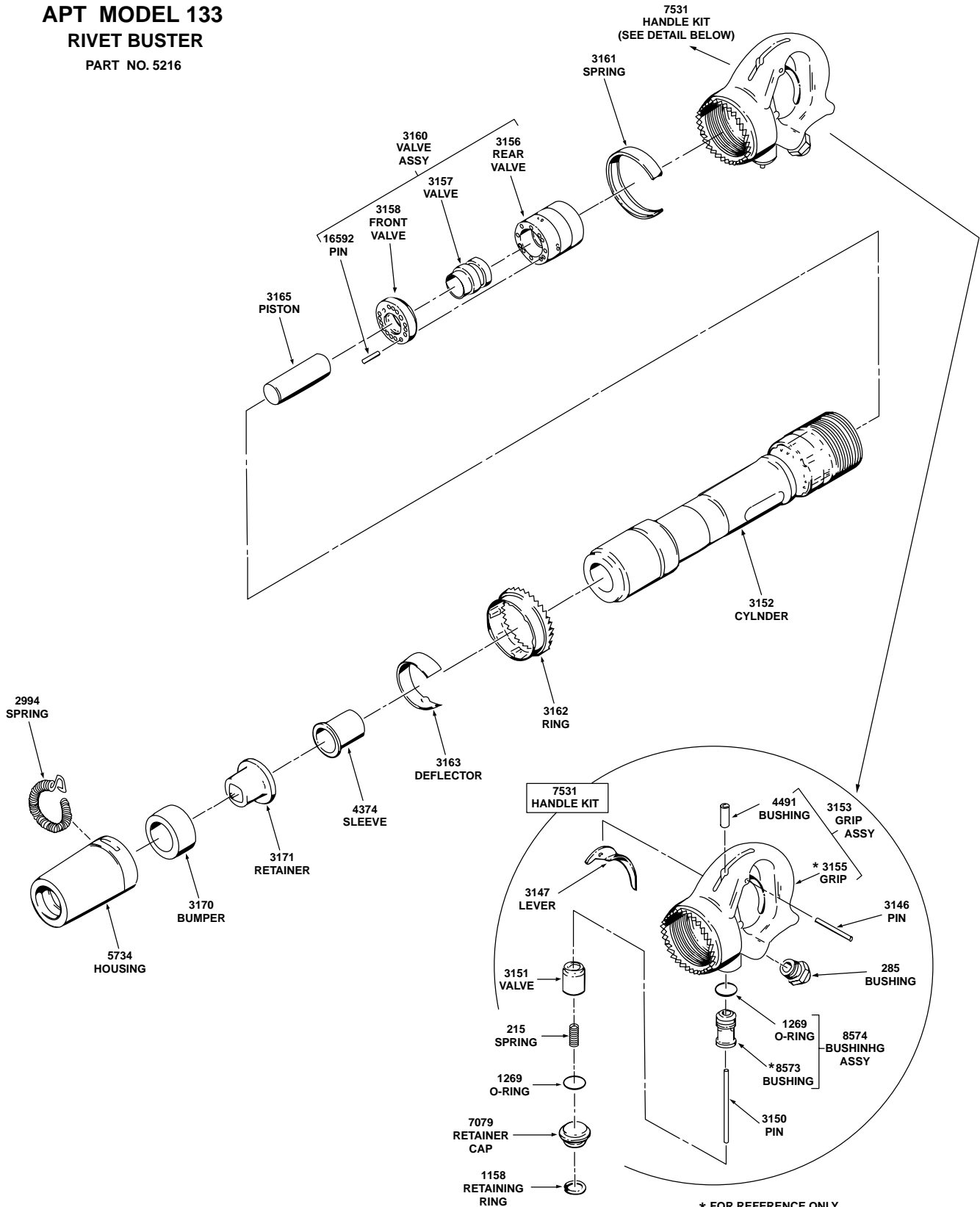


**APT**

# AMERICAN PNEUMATIC TOOL

## APT MODEL 133 RIVET BUSTER

PART NO. 5216



\* FOR REFERENCE ONLY  
(THESE PARTS NOT SOLD SEPARATELY)

# MODEL 1133 RIVET BUSTER

The APT Model 1133 Rivet Buster is a jumbo Rivet Buster with an 11" stroke. This new model complements the "classic" 133 Rivet Buster in those applications where heavy demolition force is required. This model is widely known as a tough, powerful tool, with the ability to perform heavy demolition work. Rivet Busters are also popular for cutting up underground tanks.

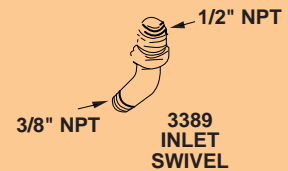
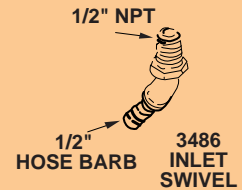
## SPECIFICATIONS

Part Number	Bore	Stroke	BPM	CFM @ 90 PSI inlet pressure	Weight lbs.	Length inches	Air Inlet NPT
17399	1-3/16	11	850	48-52	33	25-1/2	3/8 Female



## FEATURES

- 11" stroke
- Drop forged D-style handle
- Inside trigger for better control and safety
- Deep case-hardened alloy steel cylinder
- Uses jumbo extra heavy duty tool steel
- Heavy duty upper and lower sleeves
- Adjustable exhaust deflector
- Teflon throttle valve

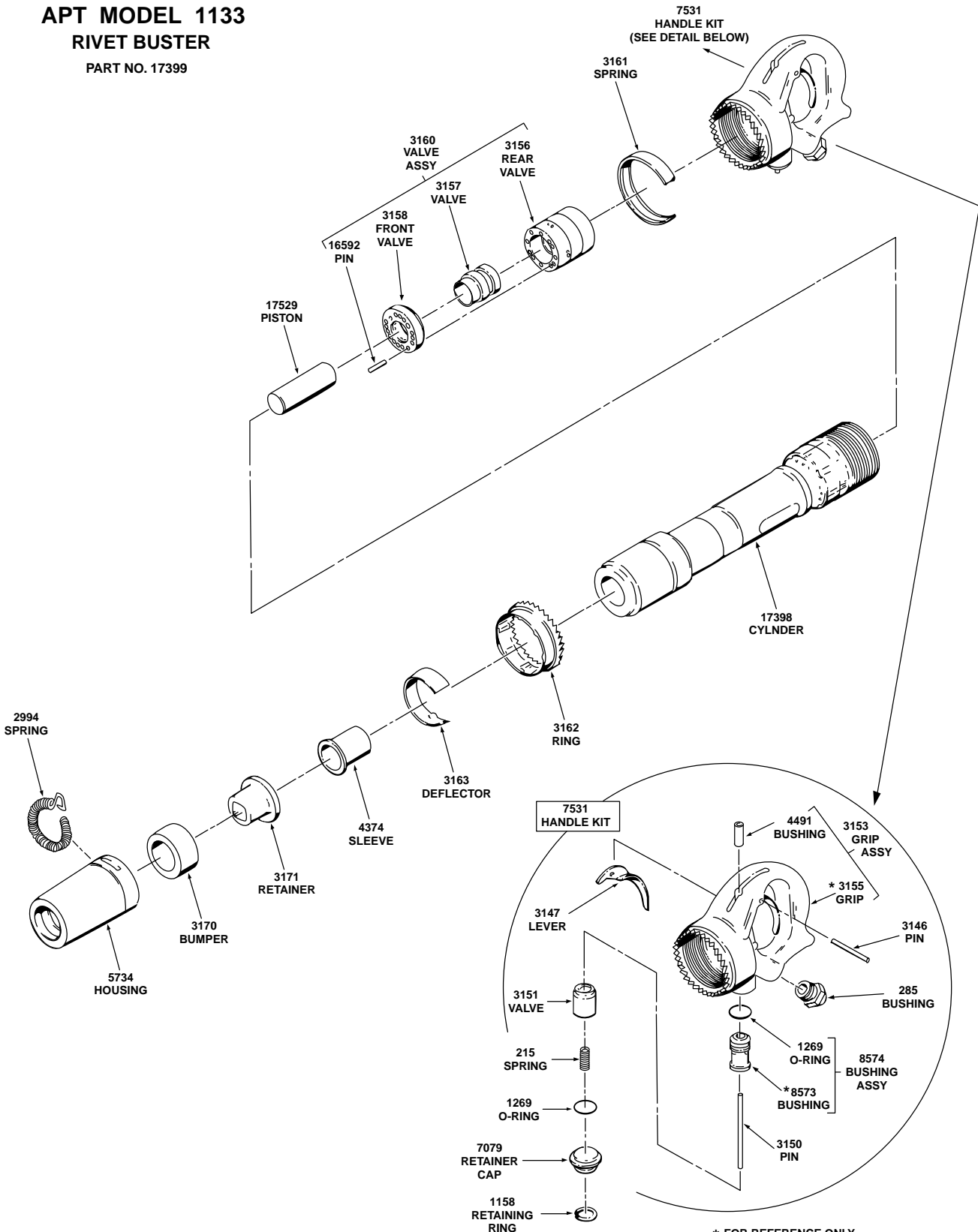


# APT

# AMERICAN PNEUMATIC TOOL

## APT MODEL 1133 RIVET BUSTER

PART NO. 17399



\* FOR REFERENCE ONLY  
(THESE PARTS NOT SOLD SEPARATELY)

**MODEL 133ST  
1133ST  
RIVET BUSTER**

The APT Model 133ST/1133ST Rivet Buster is available with an 8" or 11" stroke. This new model features a dual action safety trigger. This model is widely known as a tough, powerful tool, with the ability to perform heavy demolition work. Rivet Busters are also popular for cutting up underground tanks.

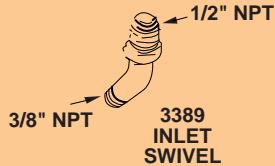
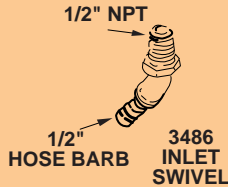
**SPECIFICATIONS**

Part Number	Bore	Stroke	BPM	CFM @ 90 PSI inlet pressure	Weight lbs.	Length inches	Air Inlet NPT
18070	1-3/16	8	1140	42-46	30	22-1/2	3/8 Female
18082	1-3/16	11	850	48-52	33	25-1/2	3/8 Female



**FEATURES**

- Safety trigger
- 8" or 11" stroke
- Drop forged open-style handle
- Deep case-hardened alloy steel cylinder
- Uses jumbo extra heavy duty tool steel
- Heavy duty upper and lower sleeves
- Adjustable exhaust deflector



**APT**

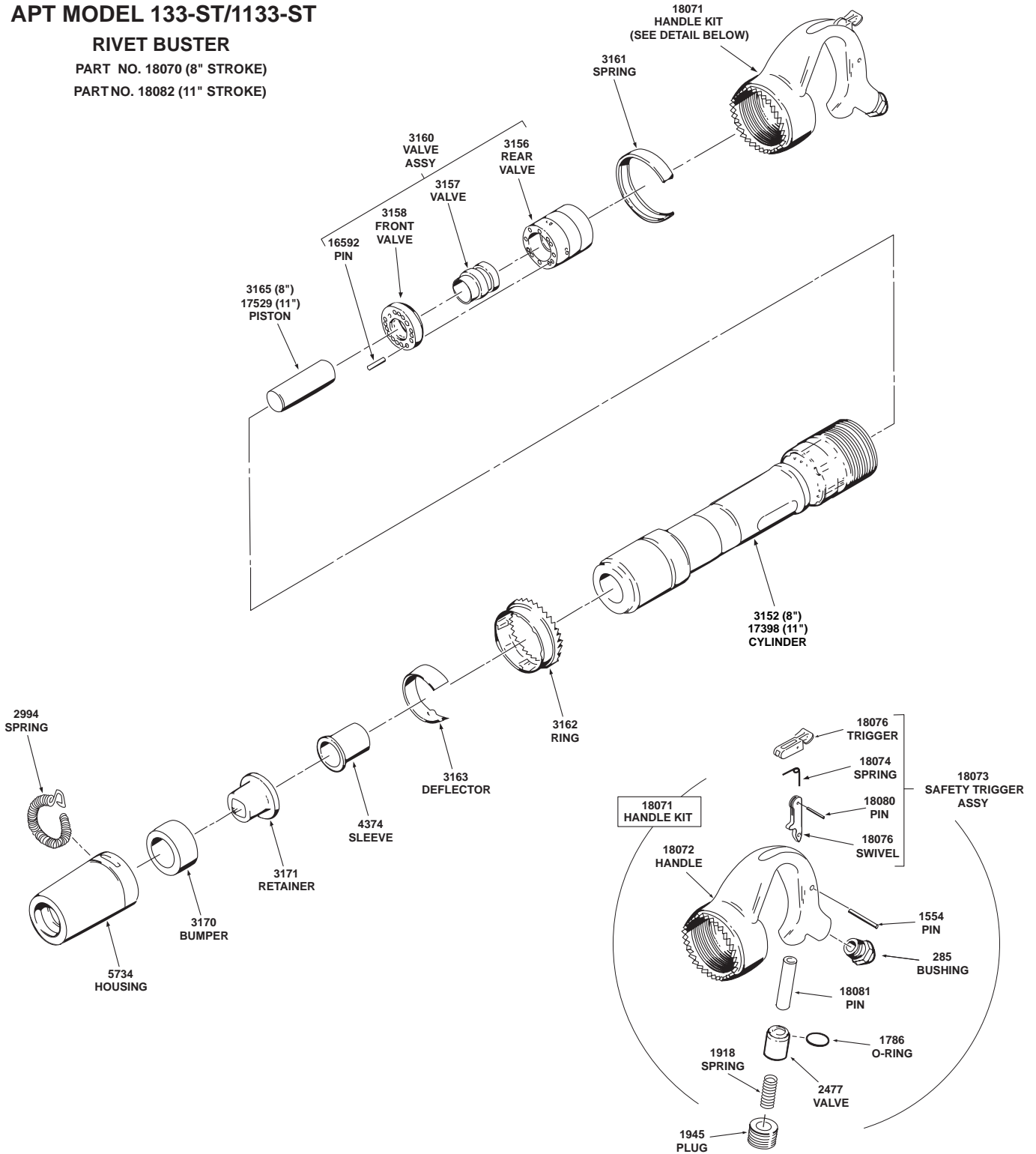
# AMERICAN PNEUMATIC TOOL

## APT MODEL 133-ST/1133-ST

### RIVET BUSTER

PART NO. 18070 (8" STROKE)

PART NO. 18082 (11" STROKE)



**MODEL 133  
4-BOLT HANDLE  
RIVET BUSTER**



The APT Model 133 4-Bolt Handle Rivet Buster is another variation of the “classic” Model 133 Rivet Buster. The Model 133 4-Bolt Handle features a 4-bolt style handle which incorporates a vibration dampening feature as well as a flapper style valve. The Jumbo Rivet Busters, as they are known, were originally designed to cut rivets off metal structures. The APT Rivet Buster Series are now widely known now as tough, powerful tools, with the ability to perform medium to heavy demolition work. At half the weight of the 60 lb. class paving breakers, the ratio of its high impact energy versus its weight makes the Rivet Buster Series the most efficient tools APT makes. The Model 133 4-Bolt Handle meets the weight requirements for bridge deck repair work. Rivet Busters are also popular for cutting up underground tanks.

**SPECIFICATIONS**

Part Number	Bore	Stroke	BPM	CFM @ 90 PSI inlet pressure	Weight lbs.	Length inches	Air Inlet NPT
17736	1-3/16	8	1000	36-40	28	24-1/4	1/2 Female

**FEATURES**

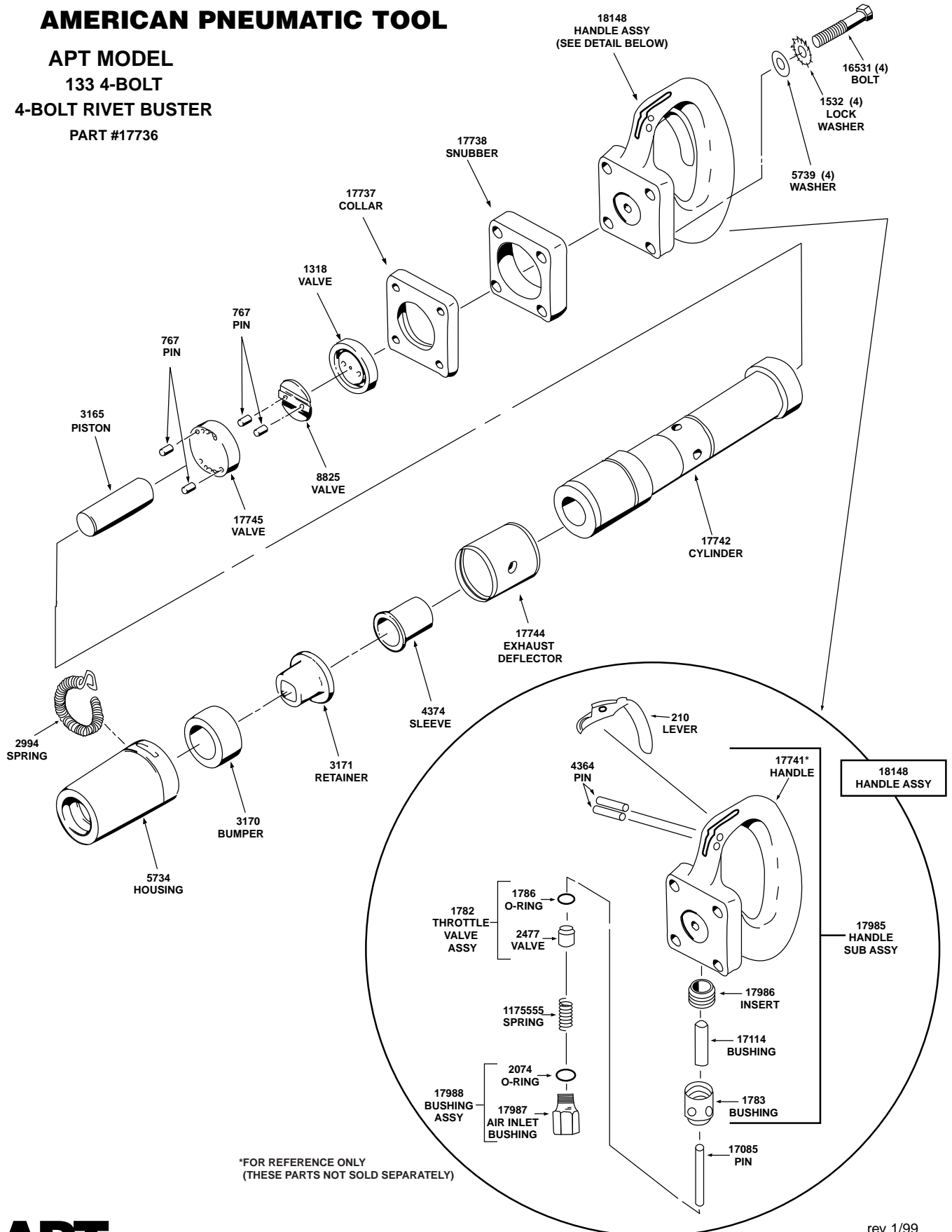
- 8" stroke
- Inside trigger for better control and safety
- Flapper valve
- Handle design has a vibration dampening feature
- Deep case-hardened alloy steel cylinder
- Uses jumbo extra heavy duty tool steel
- Heavy duty upper and lower sleeves
- Adjustable exhaust deflector

**APT**



# AMERICAN PNEUMATIC TOOL

APT MODEL  
133 4-BOLT  
4-BOLT RIVET BUSTER  
PART #17736



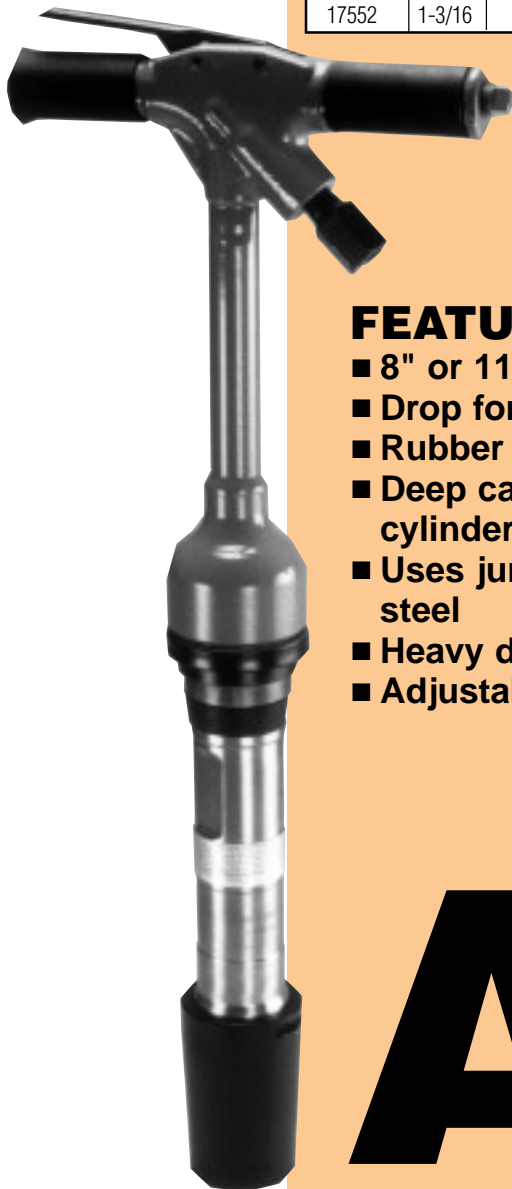
\*FOR REFERENCE ONLY  
(THESE PARTS NOT SOLD SEPARATELY)

**MODEL 133-T  
1133-T  
RIVET BUSTER**

The APT Model 133/1133 T-Handle Rivet Buster has been designed with an extended T-style handle ideal for vertical demolition work. The APT Rivet Buster is widely known as a tough, powerful tool, with the ability to perform medium to heavy demolition work. At half the weight of the 60 lb. class Paving Breakers, the ratio of its high impact energy versus its weight makes the Rivet Buster series the most efficient tools APT makes.

**SPECIFICATIONS**

Part Number	Bore	Stroke	BPM	CFM @ 90 PSI inlet pressure	Weight lbs.	Length inches	Air Inlet NPT
17070	1-3/16	8	1140	42-46	35	31	1/2 Female
17552	1-3/16	11	850	48-52	38	34	1/2 Female

**FEATURES**

- 8" or 11" stroke
- Drop forged T-style handle
- Rubber hand grips
- Deep case-hardened alloy steel cylinder
- Uses jumbo extra heavy duty tool steel
- Heavy duty upper and lower sleeves
- Adjustable exhaust deflector

**APT**

# AMERICAN PNEUMATIC TOOL

## APT MODEL 133-T/1133-T

### RIVET BUSTER

133-T PART NO. 17070 (8" STROKE)  
1133-T PART NO. 17552 (11" STROKE)

