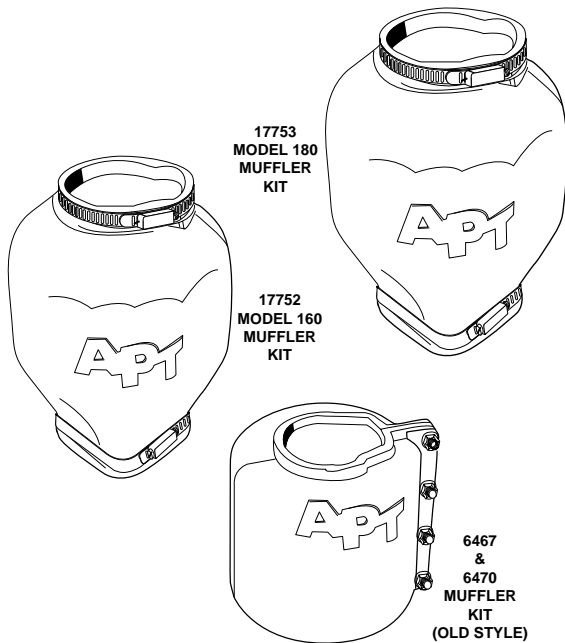


AMERICAN PNEUMATIC TOOL

ACCESSORIES



MUFFLERS

APT mufflers are an effective accessory designed to reduce noise caused by normal operation of air tools.

APT MUFFLERS FEATURES:

- Cold temperature resistant
- Oil resistant
- Moisture resistant
- Stainless steel corrosion resistant clamps

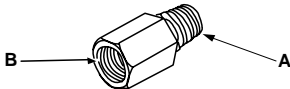
ORDERING INFORMATION:

- 17081 muffler for Model 450 4-Bolt Chipping Hammer
6465 muffler for Model 117 Paving Breaker and Model 118 Clay Digger
6467 muffler for Model 160 Paving Breaker (old style)
6470 muffler for Model 180 Paving Breaker (old style)
17752 NEW! muffler for Models 160 and Airgo-nomic 160
17753 NEW! muffler for Model 180

CHIPPING HAMMER RETAINERS

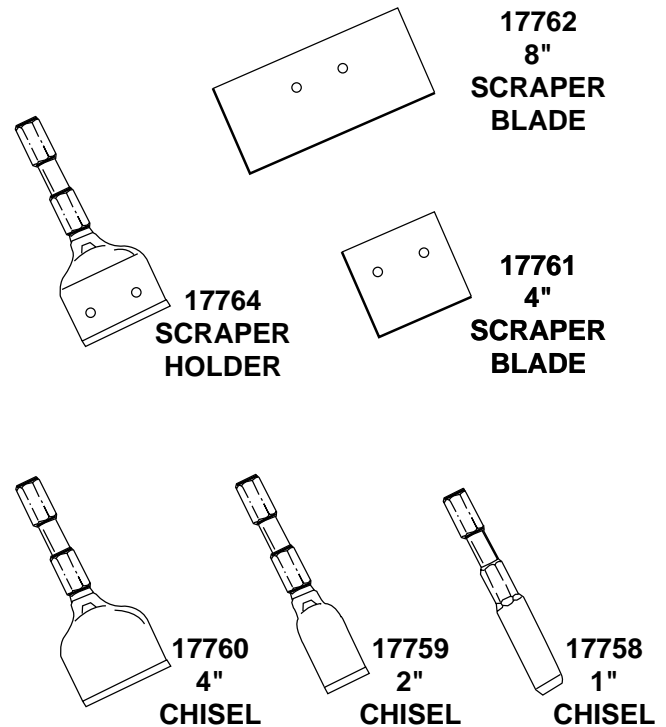
- 9431 oval collar, spring-type retainer (standard accessory)
3383 latch-type retainer (no springs needed)
3026 quick-change retainer
5550 ball-type retainer
6144 round collar retainer

REDUCING BUSHINGS



- 759 reducing bushing 7/8"-24 to 3/8"
NPT female
(standard accessory)
286 reducing bushing 3/8"
female to 3/8" NPT male
285 reducing bushing 1/2"
male to 3/8" NPT female
3384 reducing bushing 1/2"
male to 1/2" NPT female

LONG REACH SCALER CHISELS



ACCESSORIES

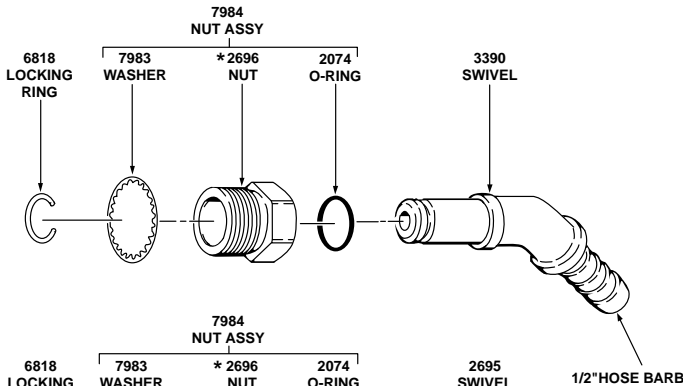
7/8-24 THREAD

FOR CHIPPING HAMMERS

Swivel will fit CP simple & Ring Valve Chippers; IR 1, 2, 2A, 3, 4 & 000, 100, 200, 300, & 400 Series; Thor 1CH, 2CH, 3CH & 4Ch Chipper; Master 1, 2E, 3E, 4 Chipper.

APT 3388

INLET SWIVEL ASSY

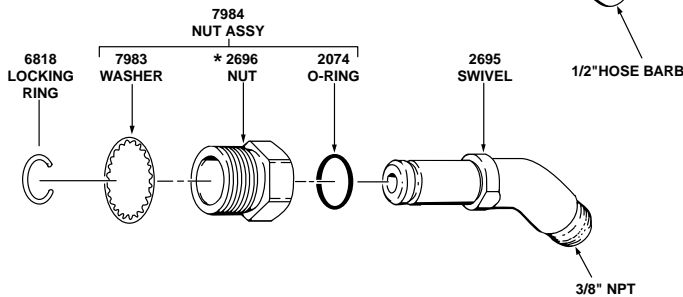


AIR INLET SWIVELS

- 3388 7/8"-24 to 1/2" hose barb swivel for Chipping Hammers
- 2698 7/8"-24 to 3/8" NPT swivel for Chipping Hammers
- 3486 1/2" NPT to 1/2" hose barb swivel
- 3389 1/2" NPT to 3/8" NPT swivel

APT 2698

INLET SWIVEL ASSY



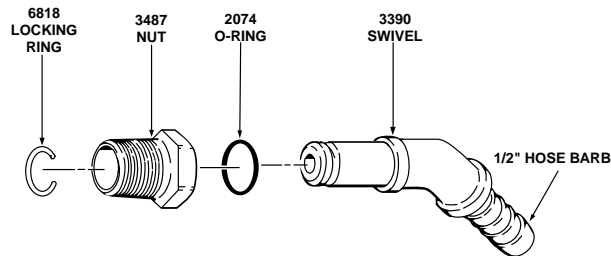
1/2" PIPE THREAD

FOR PNEUMATIC DIGGERS
CLAY SPADE, TAMPERS, ETC.

Swivel will fit any 1/2" pipe (female) inlet.

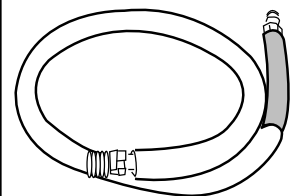
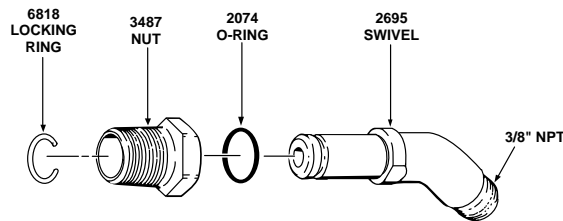
APT 3486

INLET SWIVEL ASSY



APT 3389

INLET SWIVEL ASSY



- 9109 WHIP HOSE ASSY
- 9266 WHIP HOSE ASSY

WHIP HOSE

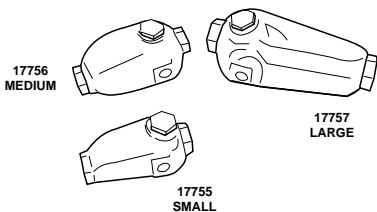
- 9109 8 ft., 1/2" dia. whip hose with universal coupler and 7/8"-24 to 1/2" hose barb swivel
- 9266 8 ft., 1/2" dia. whip hose with universal coupler and 1/2"-NPT to 1/2" hose barb swivel

* FOR REFERENCE ONLY
(THESE PARTS NOT SOLD SEPARATELY)

NEW! OILERS

APT oilers are heavy duty in-line lubricators made to

be installed at the compressor for optimum efficiency within 10-12 feet of the tool. Tough and rugged, they are designed to withstand being dragged behind the air tool. A common setup will incorporate the oiler at the end of a short length of whip hose.



Model	Part Number	Capacity	Hose Barb Pipe Size	Max. Working Pressure	Oil Wt. Rec.
APT-1L	17755	3.7 fl. oz.	3/4" NPT	260	10 Wt.
APT-2L	17756	11.0 fl. oz.	3/4" NPT	300	10 Wt.
APT-3L	17757	16.0 fl. oz.	1" NPT	250	10 Wt.